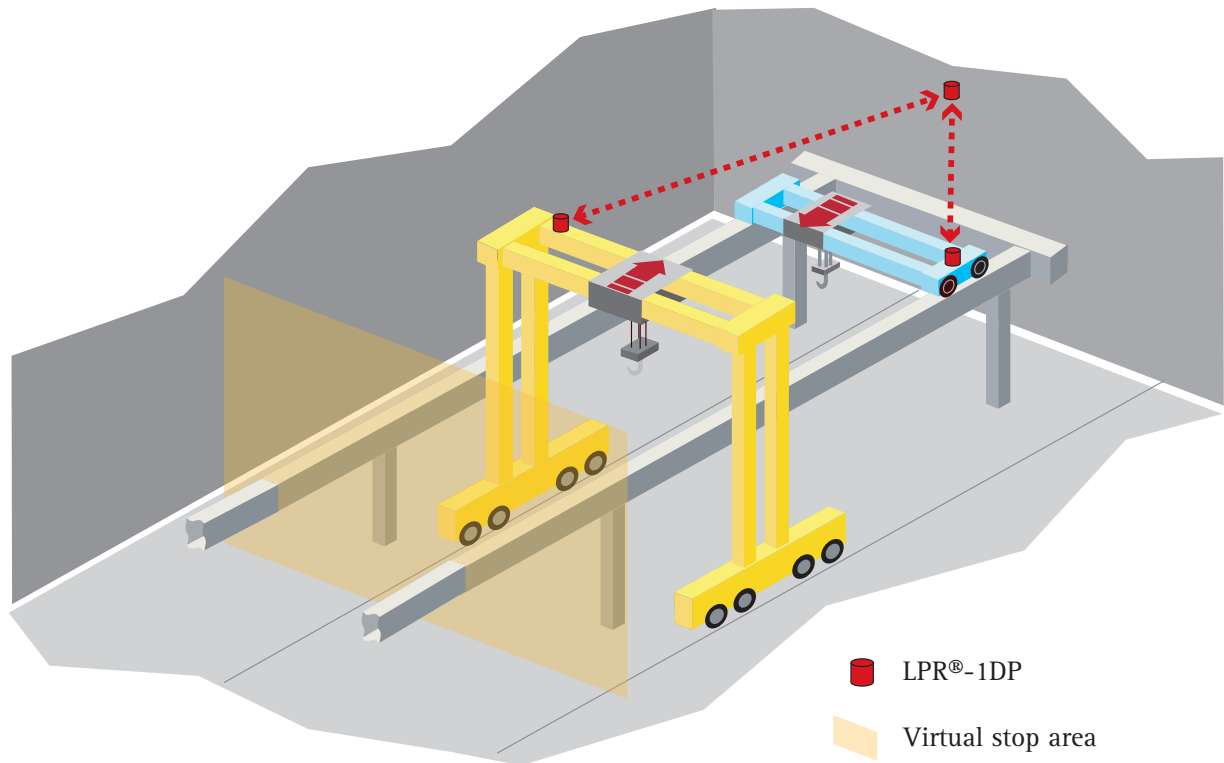


Distance Measurement and Anticollision



LPR®-1DP

Distance measurement

- Contact-less measurement via radio waves
- Simultaneous transfer of user data
- Unaffected by contamination, weather and vibration
- Usable indoors and outdoors
- No precise alignment necessary
- Easy to configure
- Redundant system set-up for high-security applications
- No additional operating or maintenance costs

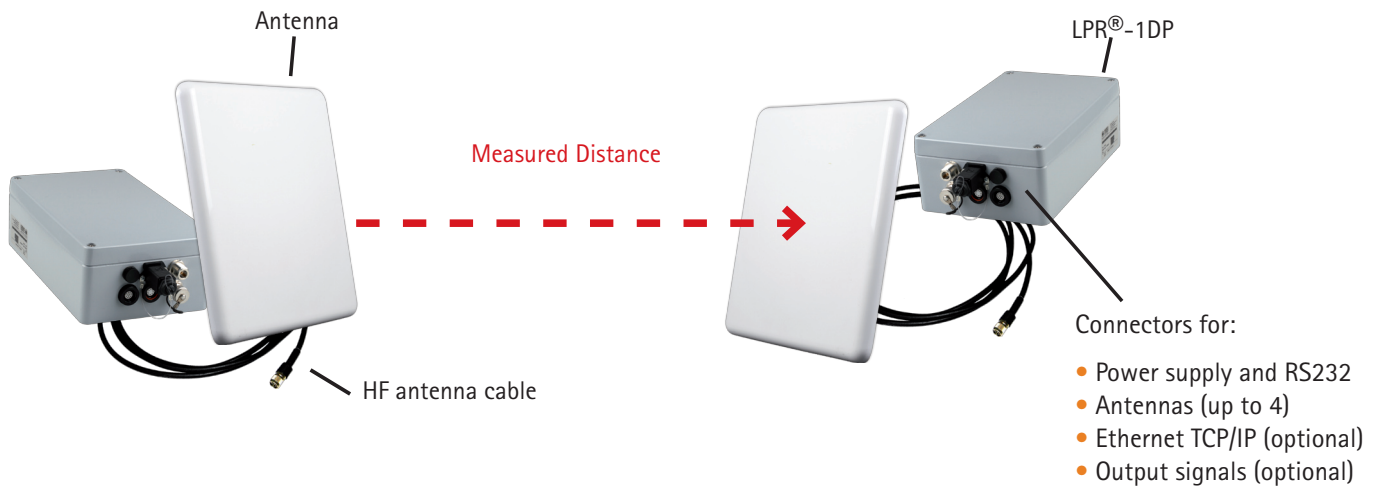
By measuring the distance to fixed reference marks, collisions between moving objects as well as entries into blocked zones can be prevented.

LPR® also determines the relative speed between the two objects being measured. This can be used, for example, for varying shut-off points during an approach.

The measured values are available on all LPR®-1DP units at the respective device interfaces.

With the integrated SymeoBasic parameterization software, switching points or virtual blocked-off areas can be easily determined based on position and speed. When the freely configurable switching criteria are reached, potential-free contacts can be opened via the optionally built-in switching relays based on the traveling direction.

The simultaneous, interference-free operation of a radio data network (WLAN) is possible.



Technical Data: LPR [®] -1DP	
Frequency range	5.725–5.875 GHz, ISM-band
Output power	Max. 0.025 W EIRP
Measuring distance	Up to 1,800 m *
Typical accuracy	Up to ± 5 cm *
Repeat rate	Max. 30 Hz
Voltage	10–36 V DC
Power consumption	4–8 W at max. update rate
Ambient temperature	–40 °C to +75 °C
Protection class	Up to IP65
Housing dimensions (LxWxH); weight	260 x 160 x 91 mm; 2.5 kg
Hardware interface	Serial RS232, TCP/IP (optional), 7x dry contacts (optional, max. 60 VDC, max. 2 A)
Data interface	Syмео binary protocol, ASCII protocol optional with TCP/IP
User data transfer rate	8 bytes/cycle, up to 800 byte/s
External connector type	Plug
Antenna(s)	Up to 4 antennas, N-Connector
Compliance	CE mark

* depending on the type of antenna and application conditions